

Keybox

Power Management Enclosure



CANopen

J1939



BLINK MARINE

Keybox is an I/O, CANbus relay module specifically designed for 12V or 24V electrical loads. Compact and efficient, the KeyBox inputs & outputs can be connected to various powered components and fixtures on your installation i.e. lights, electric motors, bilge pumps, mechanical arms etc. also enabling you to use Blink Marine PowerKey and PowerKey Pro series keypads to command them.

WHEN YOU NEED MORE CONNECTIONS

KeyBox comes equipped with thirteen (13) fused circuits with built in relays designed to control any 12V or 24V electrical device. KeyBox can also be connected in sequence with multiple modules as well as one or more Blink Marine keypads via a single BUS communication channel.

EXPAND YOUR ONBOARD TECHNOLOGY

KeyBox provides all the innovation of a Blink Marine technology without the cost and complexity of a larger digital system. It is designed for use primarily with vehicles or boats without the larger price tag of the more complex systems.

• CANbus keypads

Keybox allows the use of Blink Marine CANbus keypads in vehicle and marine applications where installations are without existing control units.

• IP67-IP69K

Keybox is IP67 and IP69K rated, allowing you to install, connect and operate the Keybox module wherever you need on your project!

• PWM connections

Keybox allows for PWM connections (e.g. dimming lights or throttle positions).

• CAN Slave module

Keybox can also be set-up as a CAN Slave module.

• Higher amperage/More outputs

Keybox allows the ability to create an extension of the onboard system when either more outputs or higher rated outputs are required.

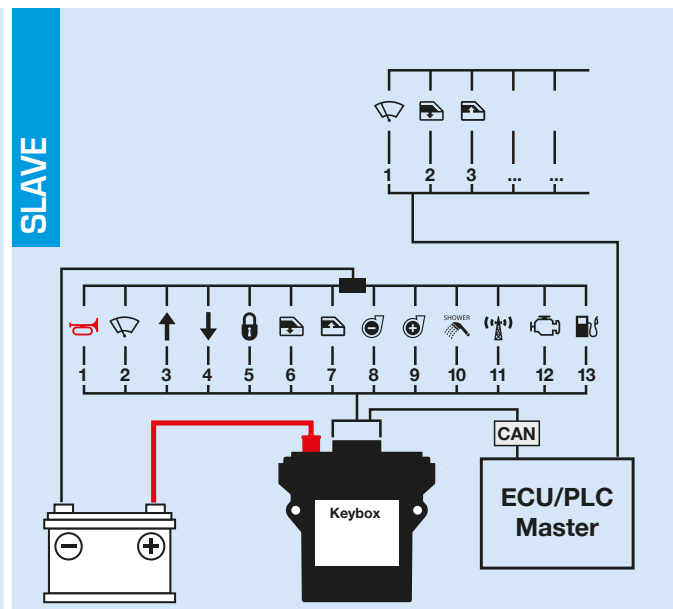
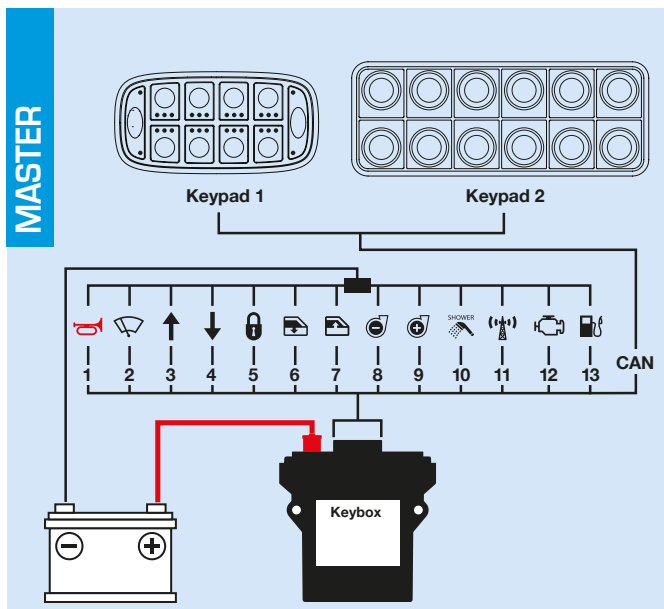
• OEM's system

Keybox allows to create a secondary stand-alone system when a closed-loop master controller system is already installed, preventing or prohibiting external connections.

AVAILABLE MODELS

KB312V-10A	12V	2 mosfet 3A	11 relays 10A
KB312V-05A	12V	2 mosfet 3A	11 relays 5A
KB324V-05A	24V	2 mosfet 3A	11 relays 5A
KB312V-05-10A standard	12V	2 mosfet 3A	3 relays 10A 8 relays 5A

EXAMPLES OF SCHEMATICS



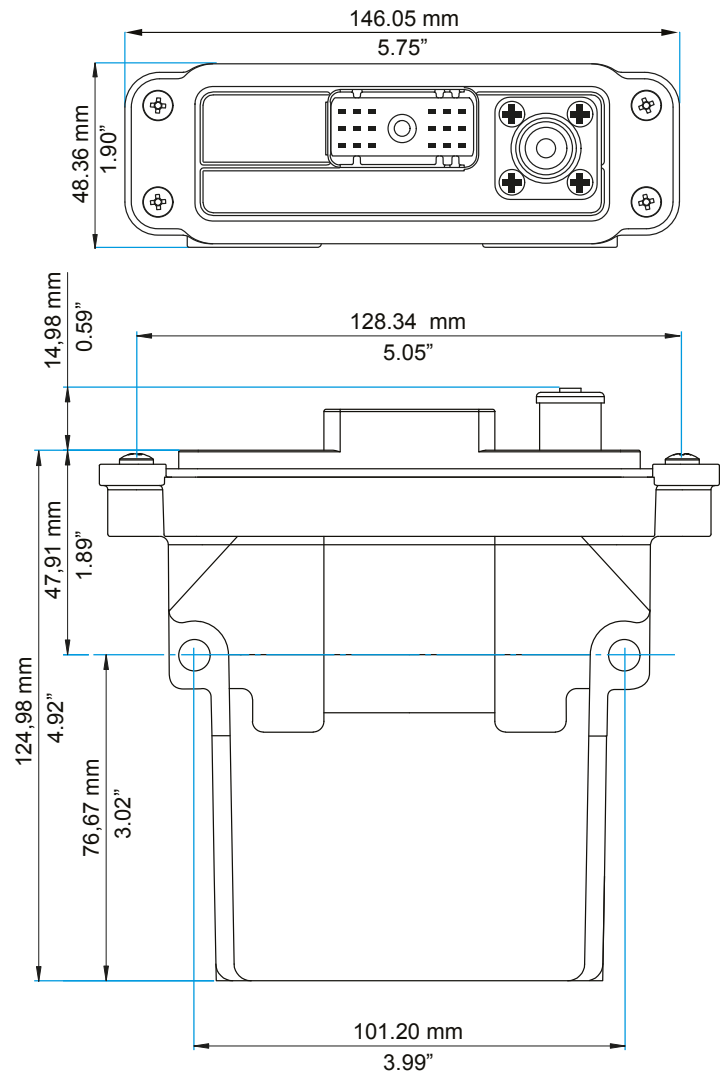
SPECIFICATIONS FOR KEYBOX POWER MANAGEMENT ENCLOSURE

ELECTRICAL	KEYBOX
Supply voltage	12V Nominal 9-16V or 24V Nominal 18-31V
Standby current	<30mA per PME
Load current	Max 5 A per output (resistive) @ 24V Max 10 A per output (resistive) @ 12V
Communication bus	CAN Bus, RS485 BUS
Circuit protection	Automotive mini blade fuse

MECHANICAL	KEYBOX
Connector	Cinch 581-01-18-038 & Amphenol SLPRA16CPSO
Mating connector	Cinch 581-01-18-023 with 425-00-00-873 & Amphenol SLPPA16BSO
Housing / cover	33% Glass Filled Polymer
PC board	1,6mm thick, Nema Grade FR-4, Double clad with 2oz copper

ENVIRONMENTAL	KEYBOX
Operating temperature	-40°C to +85°C
Storage temperature	-40°C to +85°C
Humidity	0 to 98% (no condensation)
Salt spray	96Hrs
Ingress Protection Rating	IP67

FEATURES	KEYBOX
Circuits	13
Size mm/inches	146.5x140x48.5/5.76x5.51x1.90
Low volt sense & lock down	Optional
Sense pins levels	13
Dimming/PWM Features	Available on 2 outputs
Circuit status monitoring	Optional
Field re-programmable	Optional
External status communication on the bus	Optional
Low side driver	2 Optionals
Weight	405 gr



Blink S.r.l.
Via Montefeltro, 6 - 20156 Milano - Italy
Tel. +39 02 3088583 - Fax +39 02 33406697
www.blinkmarine.com - info@blinkgroup.com

!WARNING! IMPROPER SELECTION, IMPROPER USE AND/OR FAILURE OF THE BLINK SYSTEMS PRODUCTS DESCRIBED HEREIN OR RELATED ITEMS CAN CAUSE DEATH, PERSONAL INJURY AND PROPERTY DAMAGE. This document and other information from Blink, provide product and/or system options for further investigation by users having technical expertise. It is important to analyze all aspects of the application, including consequences of any failure. Due to the variety of operating conditions and applications for these product(s), the manufacturer of the application is solely responsible for marking the final selection of the product(s) and assuring that all performance, safety and warning requirements of the application are met. The products described herein, including without limitation, product features, specifications, designs, availability and pricing, are subject to change by Blink at any time without notice.